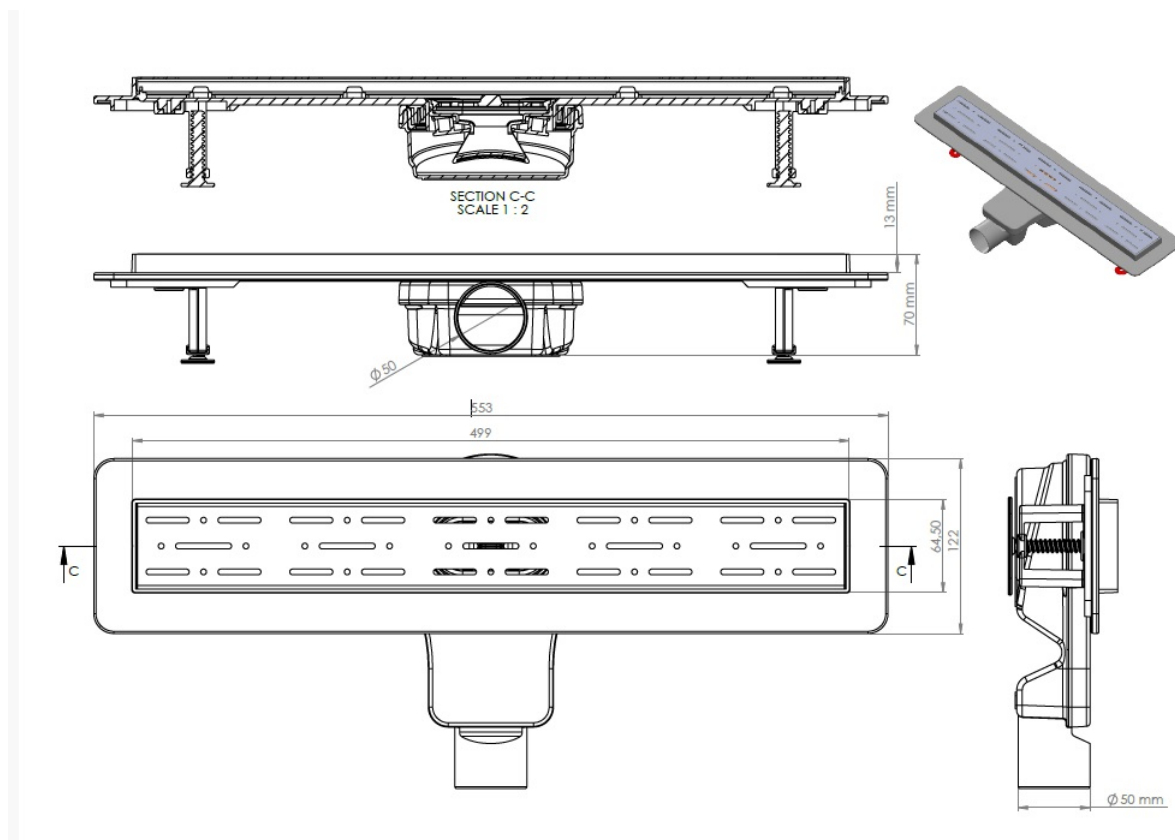


LUNA SHOWER DRAIN



DN 50 Horizontal and vertical outlet - compatible with PVC pipe connections, blocking odor by water (285mg). The flow rate is 48 liters/min. Resistant against external chemical effects, operating temperature is between -30°C and +75°C. The and grid is made of 304 grade stainless steel.

Advantages

It has a quality and stylish-looking with its 304 grade stainless steel grid. It can be easily applied on the floor., It prevents the bad smell coming from the waste water system with its two cleppers o'dor blocking and "S TYPE" outlet . It can be adjusted depending on the screed concrete with its adjustable height legs. High resistance against the organic and inorganic chemicals, resistant against most acidic and salty aqueous oxidation.

Areas of Usage

Common use of bathroom shower, hospital and hotel shower areas, locker-room shower areas etc.

Customized Production

Grid patterns can be chosen in gold, bronze or other optional colors in accordance with your desire.

Warning

It is not recommended to use high-density cleaners for a long-time.

* The referring size is 50 cm

